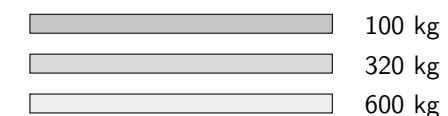
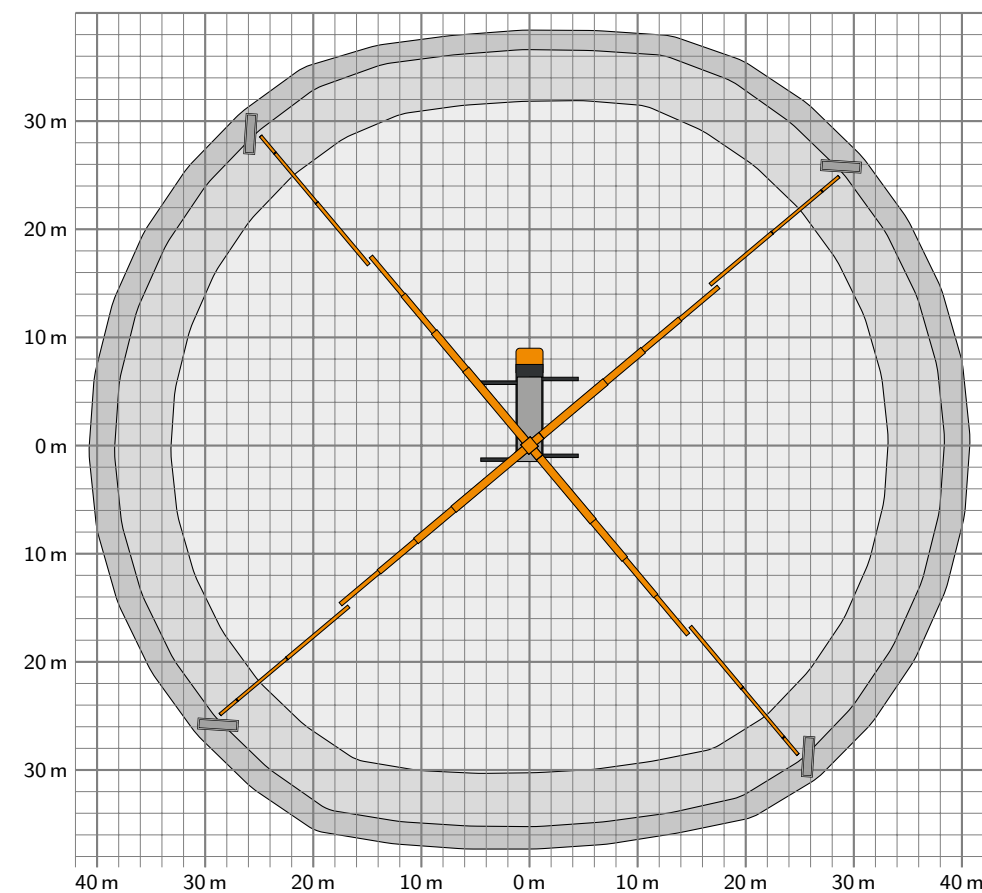
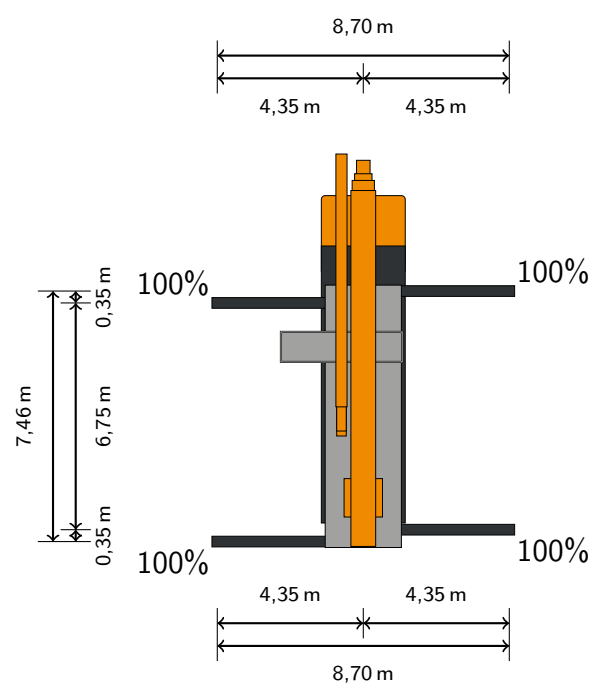
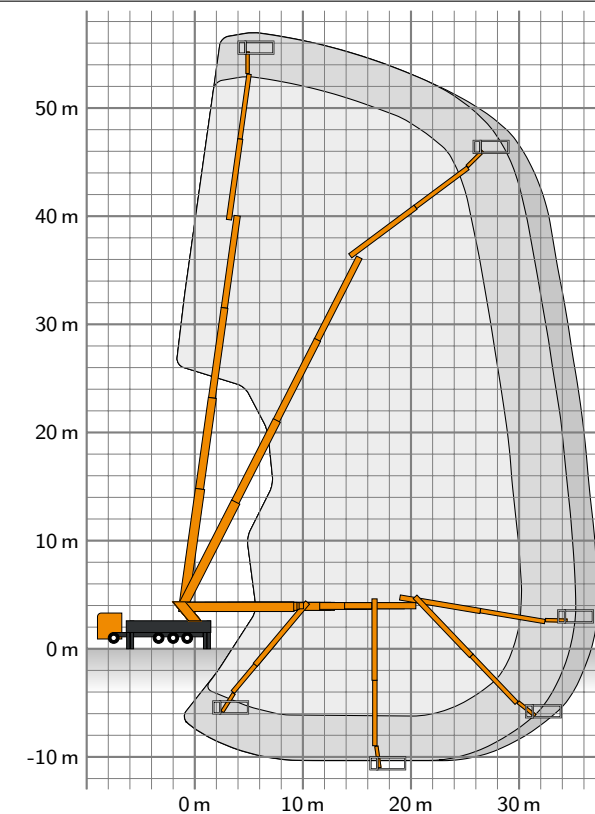
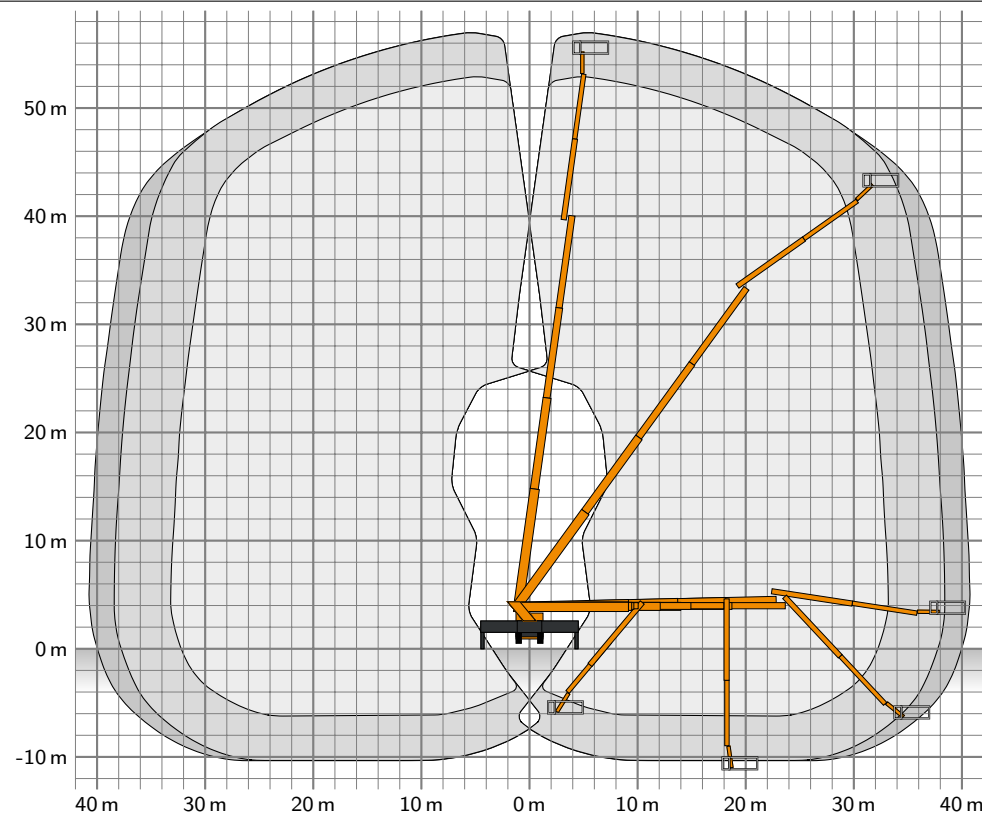
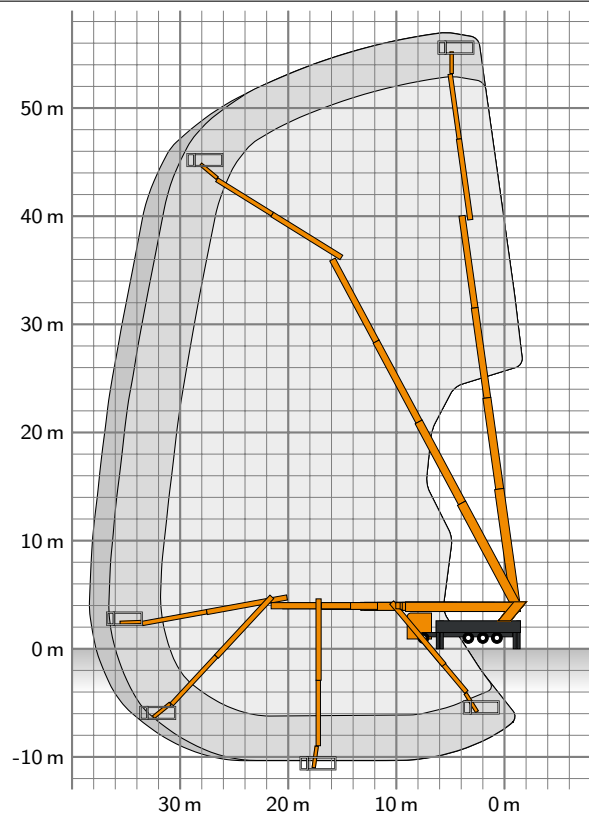
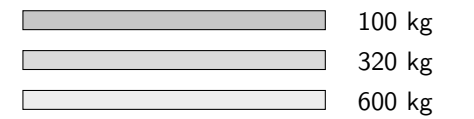
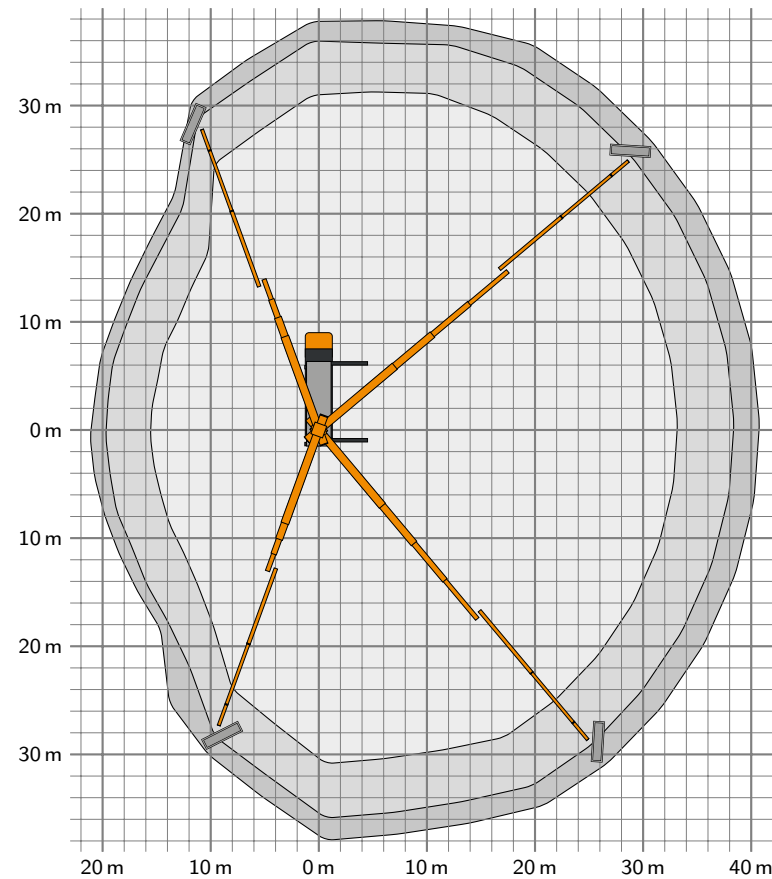
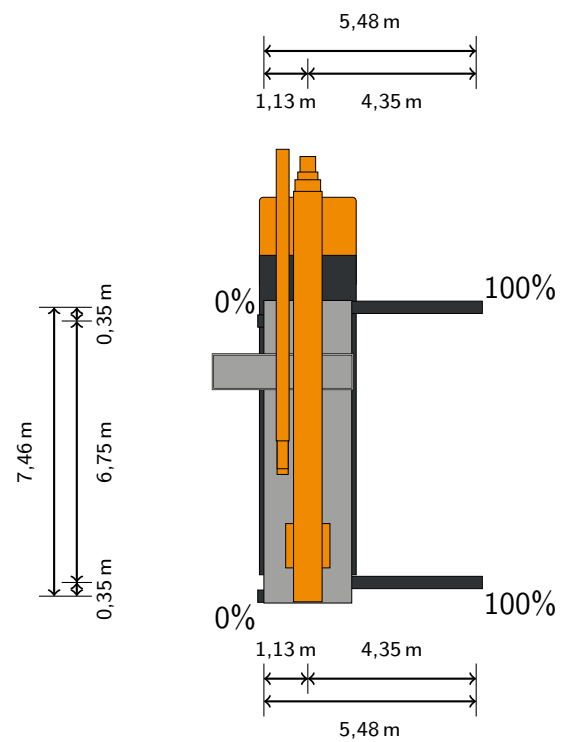
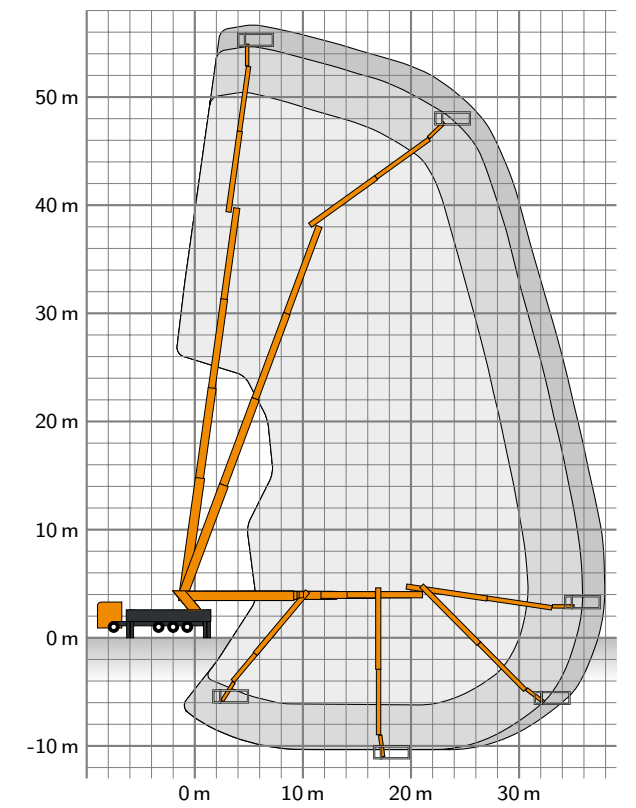
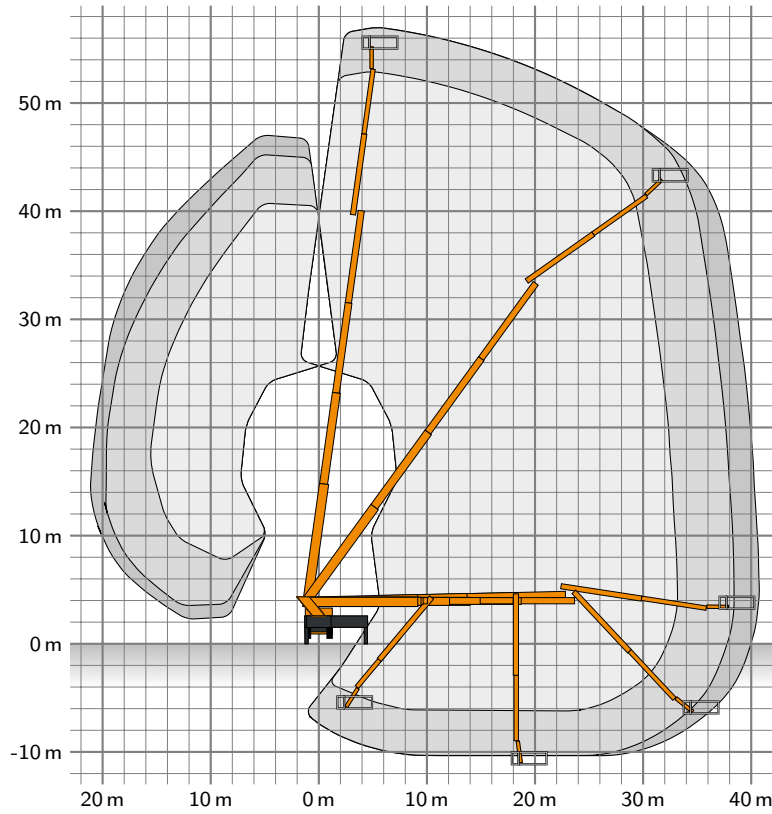
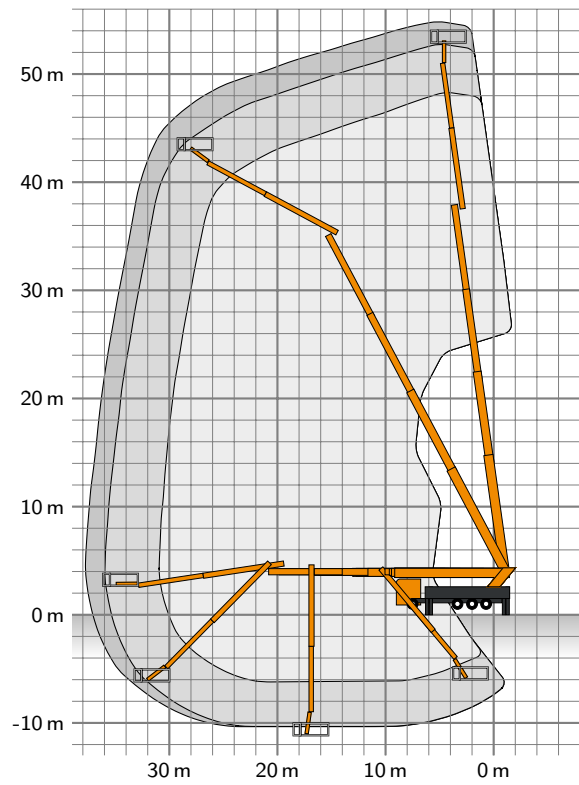





$l = 2,55\text{m}$	A1 (max. 9000 kg) 7650 kg	A2 (max. 28000 kg) 20400 kg	Total (max. 32000 kg) 28050 kg
--------------------	---------------------------------	-----------------------------------	--------------------------------------

tolerance specifications										Status: released			Ruthmann Holdings GmbH www.ruthmann.de www.ruthmann.it			Weight: kg			Format: A4		Material		Quality standard	
Surface texture Rz in mm, DIN EN ISO 1302										QS						Description:		T 570 flex-4A Scania		Scale				
✓	z	e	y	k	x	r	w	t	Releas.	09.11.2022	mlb	P 450 B 8x4*4 NA 4150 CP20L				1:50								
Rz	1	2	4	8	16	31,5	63	125	Modif.	09.11.2022	mlb	Drawing number:		33650		Sheet 1								
										Cre.			Origin:				Subst.:							
										⊖	Date	Name	Chg.No.	Rev.	Modification	Name	Date							



Description		Scale
Working area (theoretical) RUTHMANNSTEIGER® T 570 flex Scania P 450 B 8x4*4 NA 4150 CP20L		1:700
		Com. No. 33650
Ruthmann Holdings GmbH Ruthmannstr. 4 48712 Gescher Germany		Sheet 1
		No. Sheets 2
Working height max. 57,0 m	Outreach max. 40,8 m	
Date: 30th September 2022	Format: A3	FTA-jh



Description		Scale
Working area (theoretical) RUTHMANNSTEIGER® T 570 flex Scania P 450 B 8x4*4 NA 4150 CP20L		1:700
		Com. No. 33650
Ruthmann Holdings GmbH Ruthmannstr. 4 48712 Gescher Germany		Sheet 2
		No. Sheets 2
Working height max.  57,0 m	Outreach max.  40,8 m	
Date: 30th September 2022	Format: A3	FTA-jh